

Vertical Francis turbine TF-1256-372

Technical data:

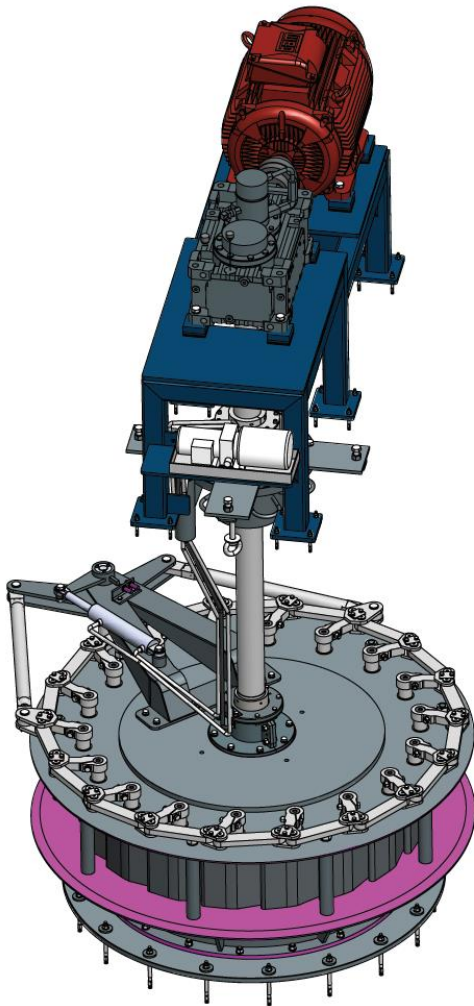
- Flow $Q = 2,4 \text{ m}^3/\text{s}$
- Head $H = 2,05 \text{ m}$
- Power $P_t = 42 \text{ kW}$
- Dimension 1256 mm x 372 mm
- Power transmission turbine – generator Gearbox
- Generator rated power 37 kW

Price:

- | | |
|--------------------------|----------|
| 1. Turbine with shaft | 38.000 € |
| 2. Gearbox | 12.000 € |
| 3. Generator asynchron | 6.500 € |
| 4. El. Equipment and HPU | 13.000 € |

Total: 69.500 €

Price is NET value and do not include any custom duties, taxes (VAT) or fees outside of Slovenia. Delivery place: EXW, Most na Soci, Slovenia.



Contact:

Siapro d.o.o., Postaja 9, 5216 Most na Soci, Slovenia T: +386 5 384 16 38 / E: hydro@siapro.si
W: <http://www.hydro-electricity.eu/domov/>

Vertical Francis turbine TF-1256-372

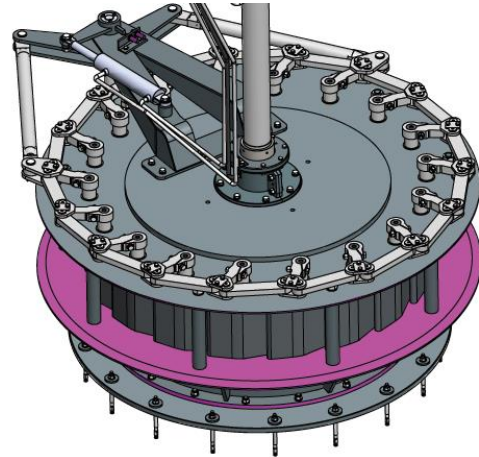
Technical data:

- Flow $Q = 2,4 \text{ m}^3/\text{s}$
- Head $H = 2,05 \text{ m}$
- Power $P_t = 42 \text{ kW}$
- Dimension $1256 \text{ mm} \times 372 \text{ mm}$
- Belt power transmission turbine – generator
- Generator rated power 37 kW

Price:

1. Turbine with shaft and pulley
2. Asynchron generator 37 kW 750 rpm
3. El. equipment and HPU

Total Price: 55.000 €



Price is NET value and do not include any custom duties, taxes (VAT) or fees outside of Slovenia.

Delivery place: EXW, Most na Soci, Slovenia.



Contact:

Siapro d.o.o., Postaja 9, 5216 Most na Soci, Slovenia T: +386 5 384 16 38 / E: hydro@siapro.si
W: <http://www.hydro-electricity.eu/domov/>