

PELTON HYDRO TURBINES

Pelton vodne turbine / Projektovanje i proizvodnja

TYPE

Pelton

Siapro Design and Manufacture Pelton Hydro Turbines and Electrical Hydro Control Systems.
Siapro projektuje i proizvodi Pelton vodne turbine za male hidroelektrarne i elektro kontrolne sisteme za proizvodnju struje.

- Pelton Runners Manufacturing / Proizvodnja Pelton trkačev:
- A wide range of configurations / Širok raspon konfiguracija
 - 3D Modeling, 3D 5 Axis machining / 3D Modelovanje, obrada 3D 5 aksialne mašine
 - Materials: Inox, Other / Materiali: inox i drugi materiali
 - Casted – Full Runner / Odljevak – čitav trkač
 - Casted – Schafels – Welded / Odljevak – lopatica – svarjenac
 - Balanced on Run of Speed / Balansirano
 - Reliable components / Pouzdane komponente

For more information please contact

SIAPRO d.o.o.
Postaja 9
5216 Most na Soči
SI - SLOVENIA



T: 00386 5 384 16 32
F: 00386 5 384 16 30
E: hydro@siapro.si

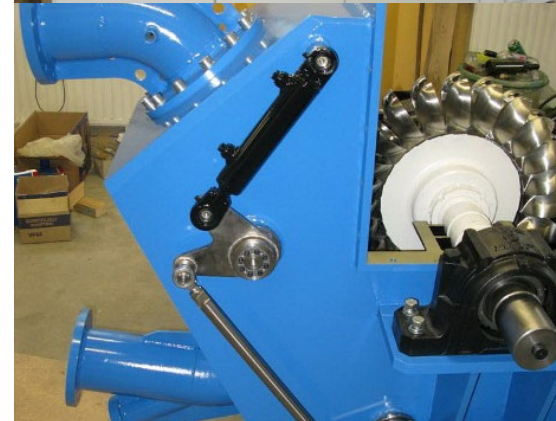
www.hydro-electricity.eu



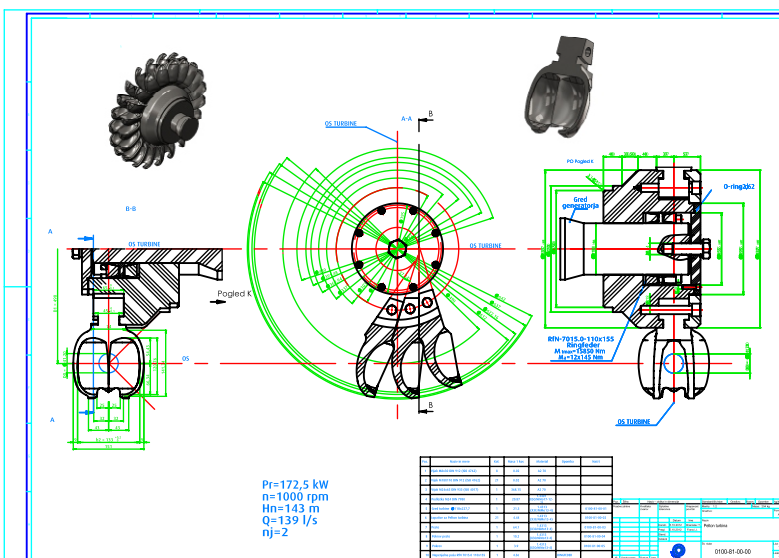
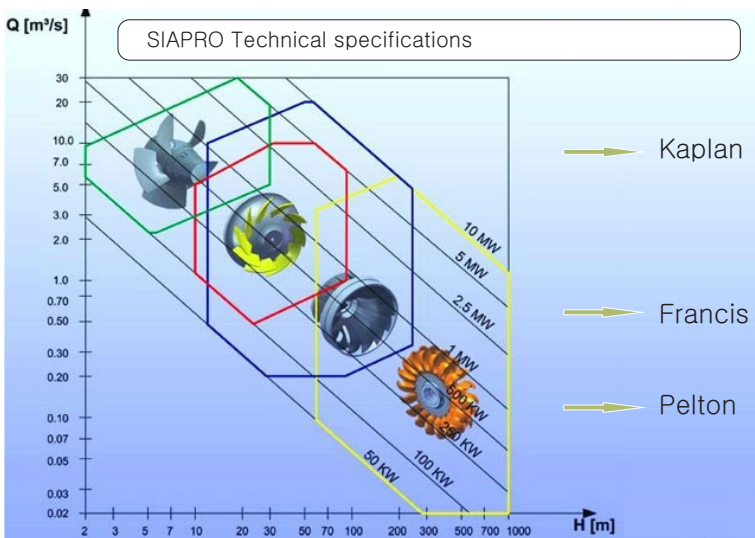
Pelton Turbines can be installed horizontal or vertical. This turbines may attain up to 250mW of power, the efficiency of these turbines is 85% to 92%.

More than 20 years of Siapro experience means the accumulation of experience and knowledge that guarantee internationally competitive solutions.

Instalacija turbina može biti vertikalna ili horizontalna. Peltonove turbine dostižu snagu do 250MW, stepen iskorištenja ovih turbina je 85% do 92%. Više od 20 godina Siapro iskustva znači prikupljanje iskustava i nadogradnju znanja koje garantuju međunarodno konkurentna rješenja.



3D Designing / 3D Projektovanje



Other Turbines & Equipment / Druga oprema:

